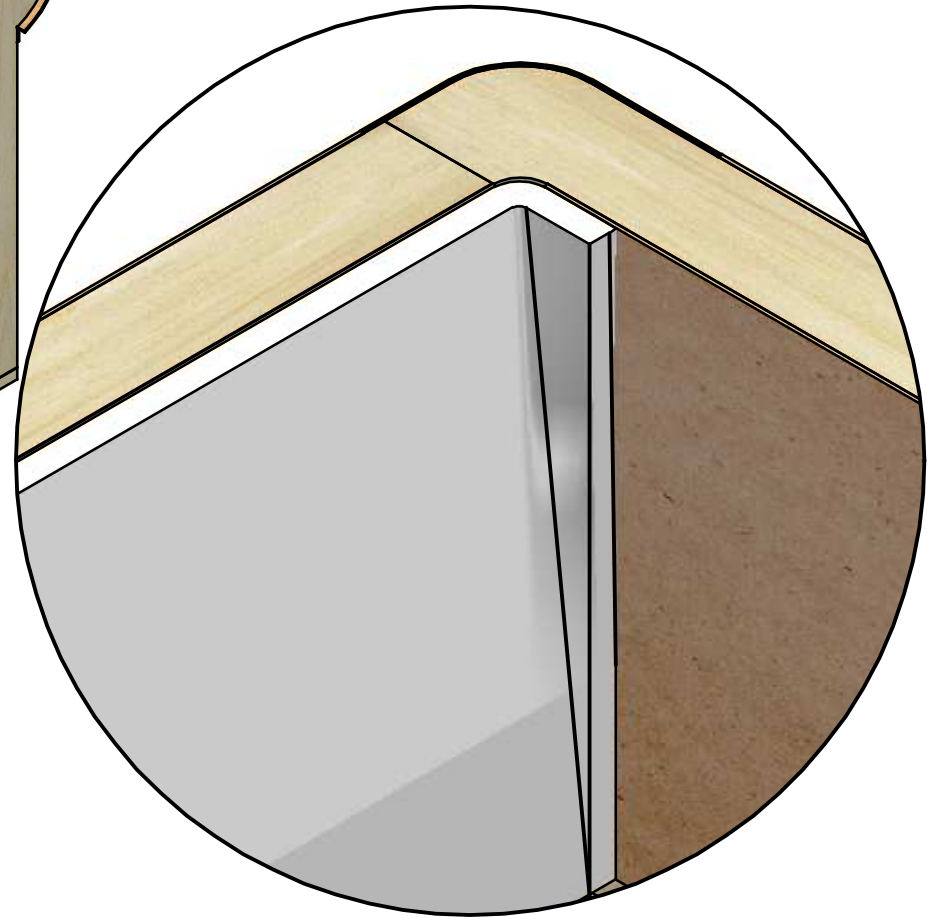


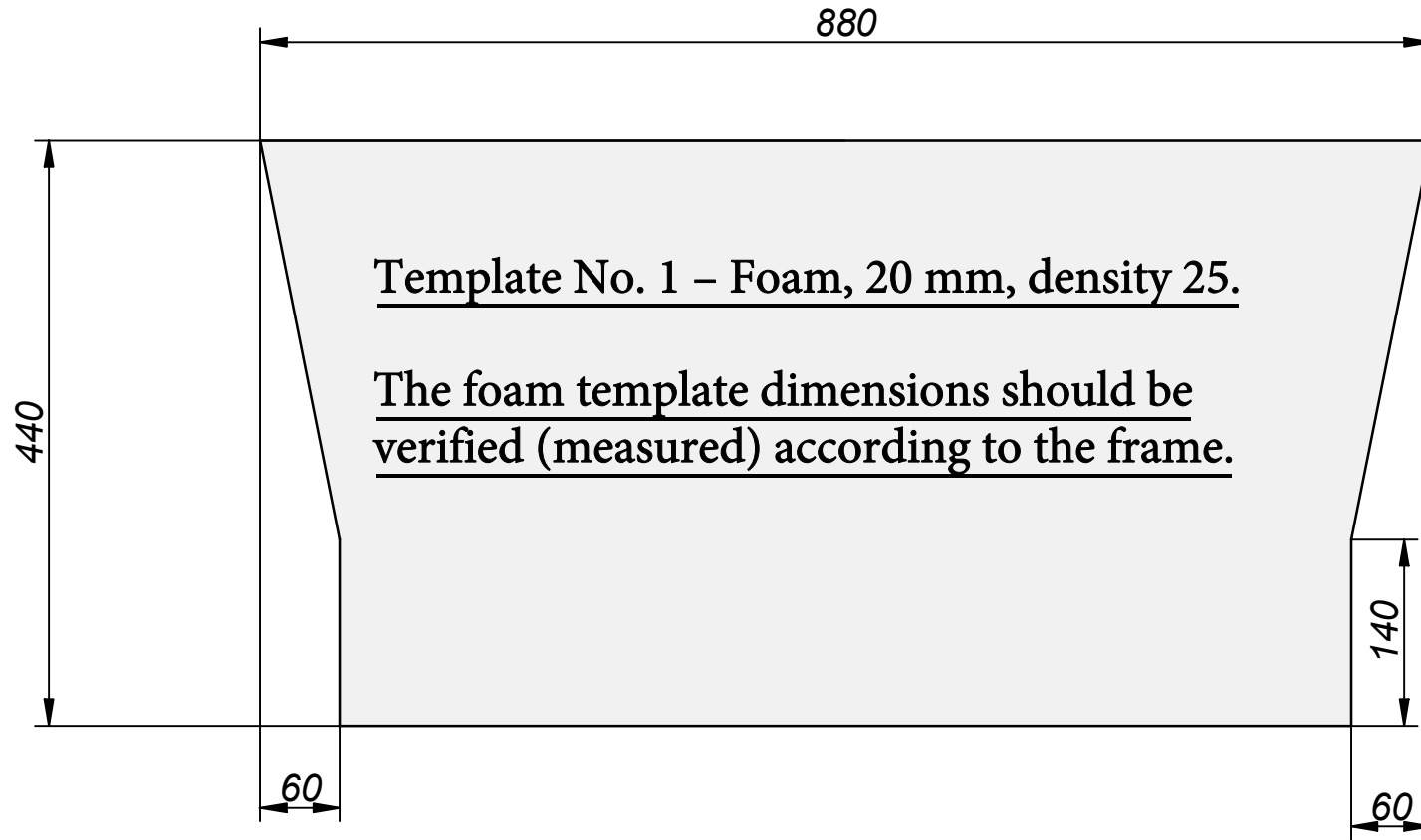
The foam is glued with an overlap onto the armrest

A

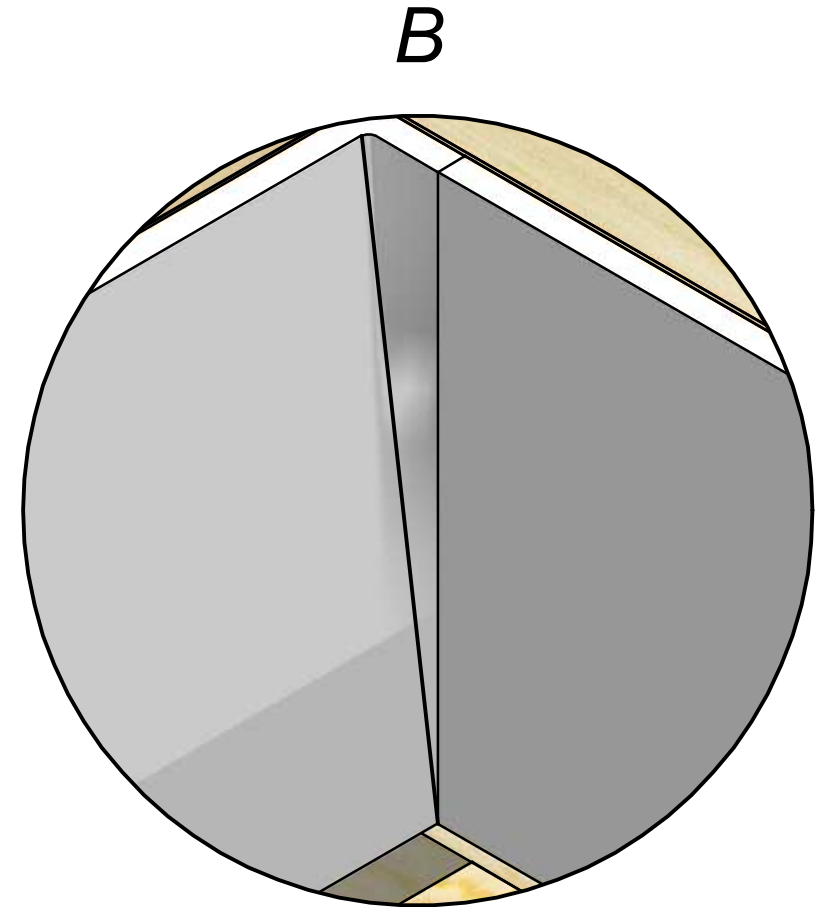
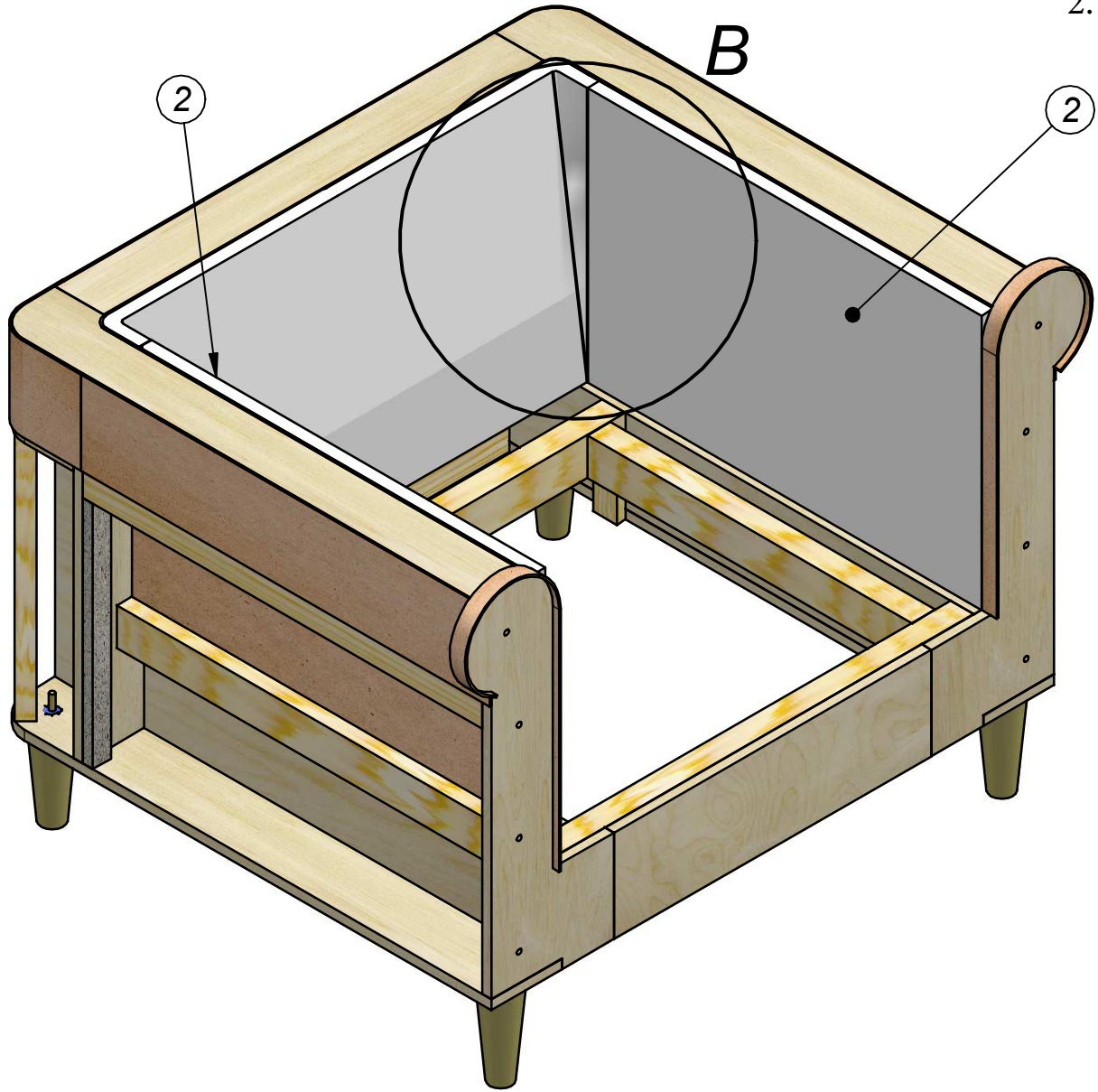
1. Foam, 20 mm, density 25
(Template No. 1) – 2 pcs.
The template dimensions for the
foam should be confirmed according
to the frame

A



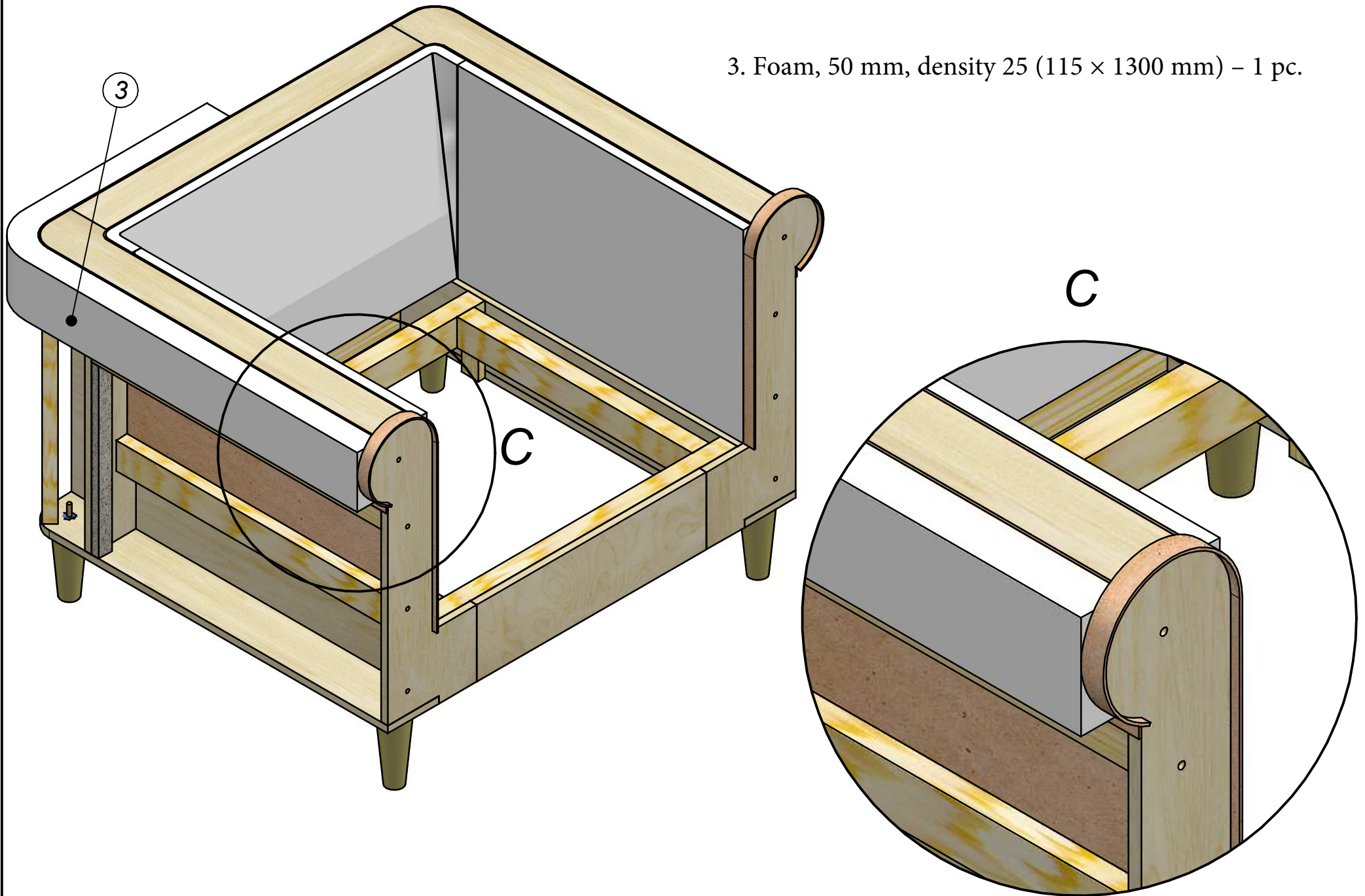


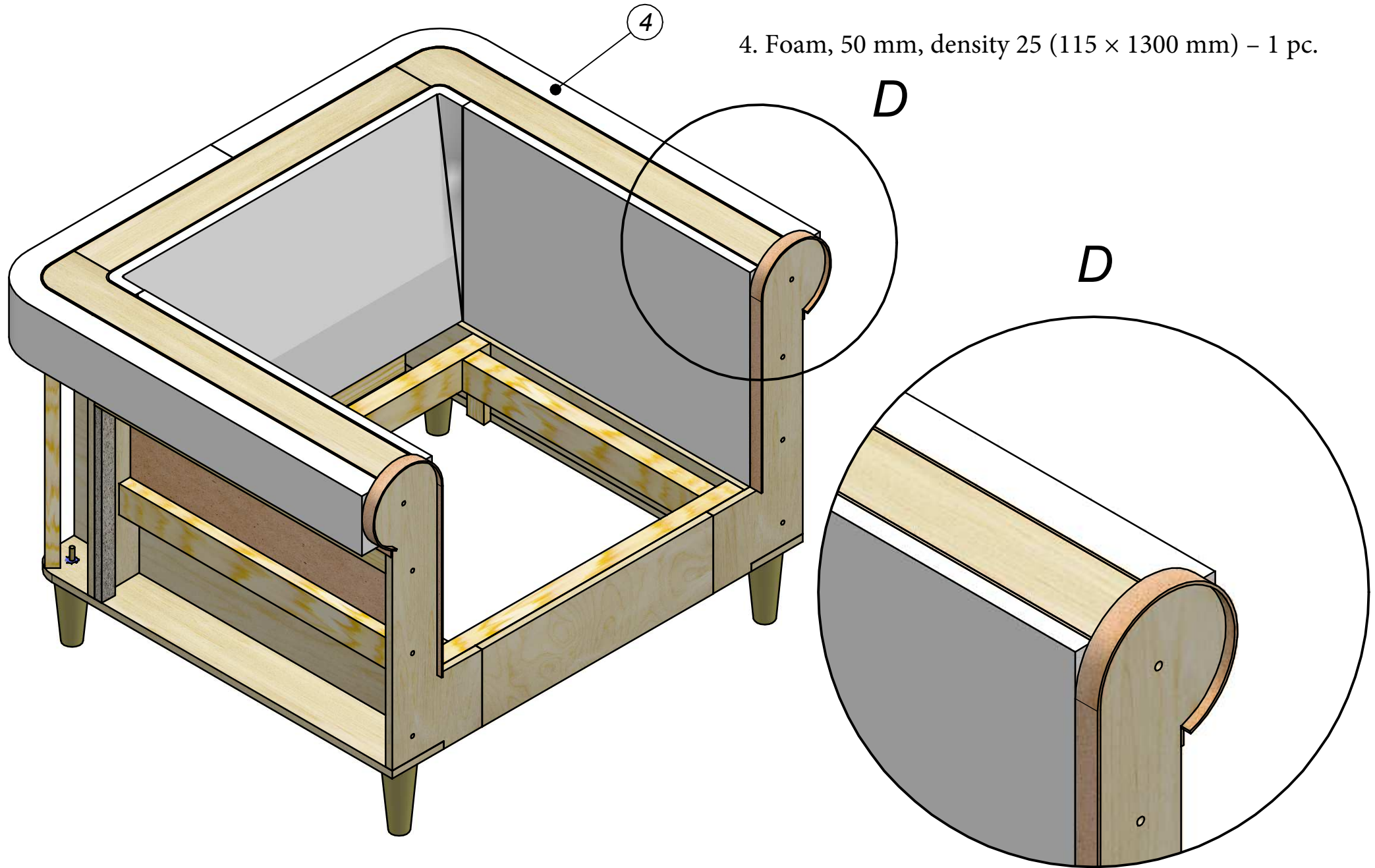
2. Foam, 20 mm, density 25 (415 × 650 mm) – 2 pcs.



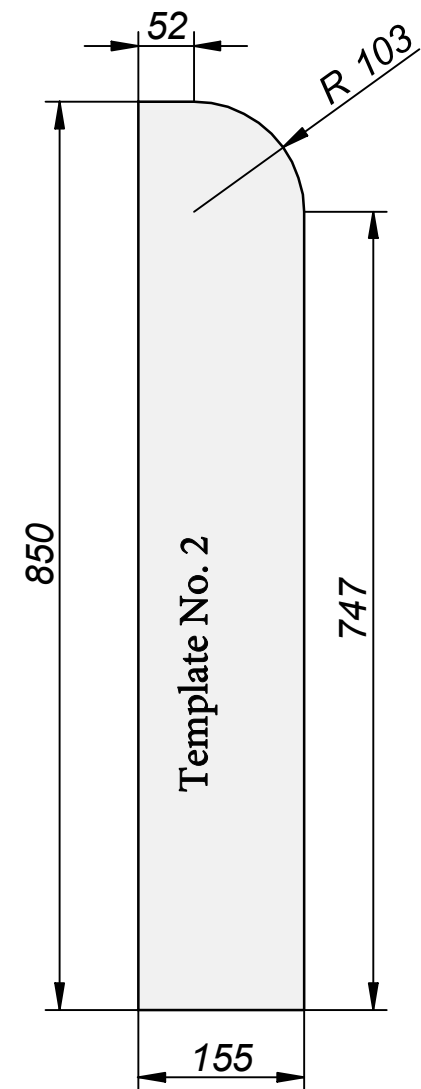
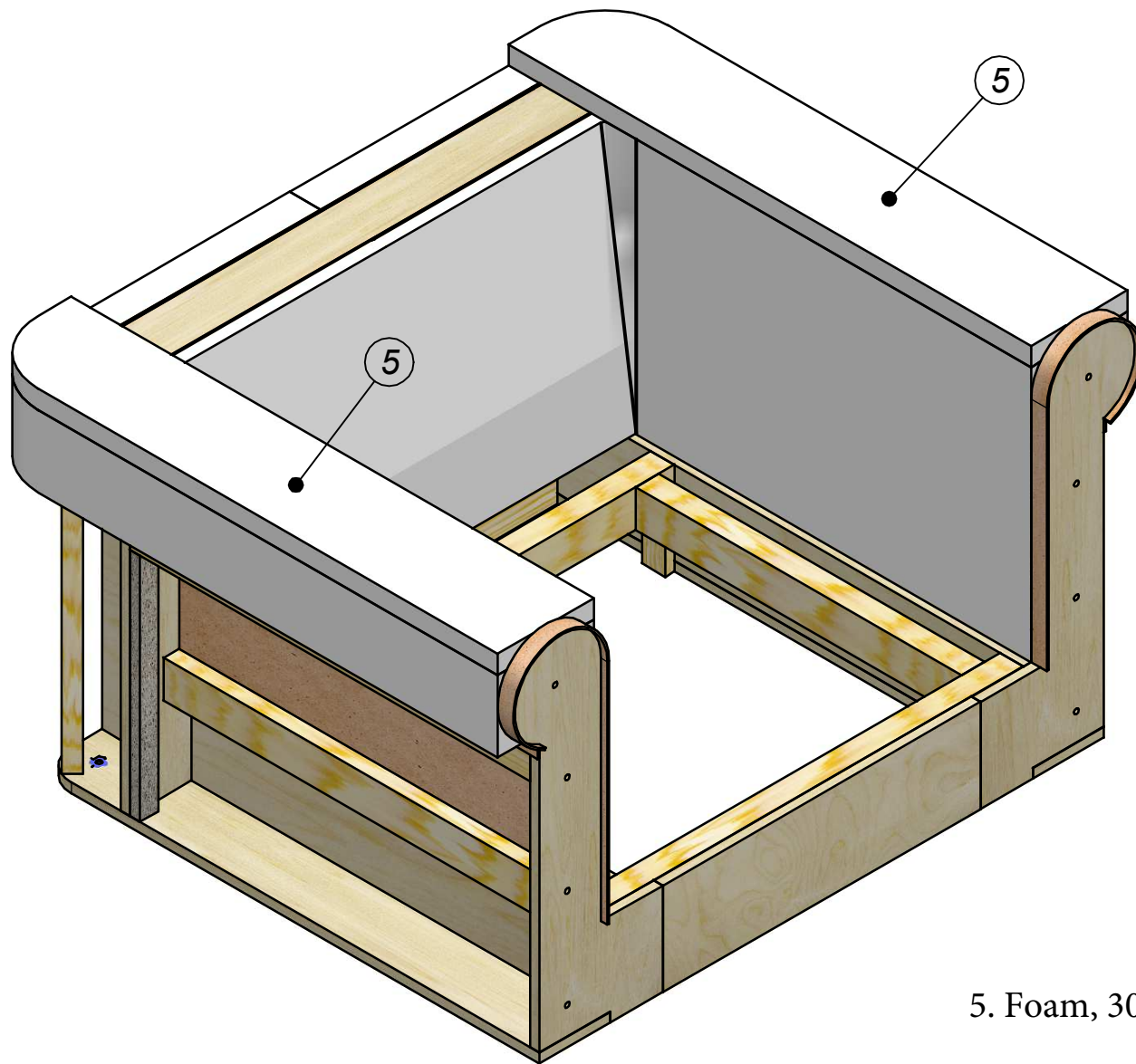
Chesterfield armchair

3. Foam, 50 mm, density 25 (115 × 1300 mm) – 1 pc.



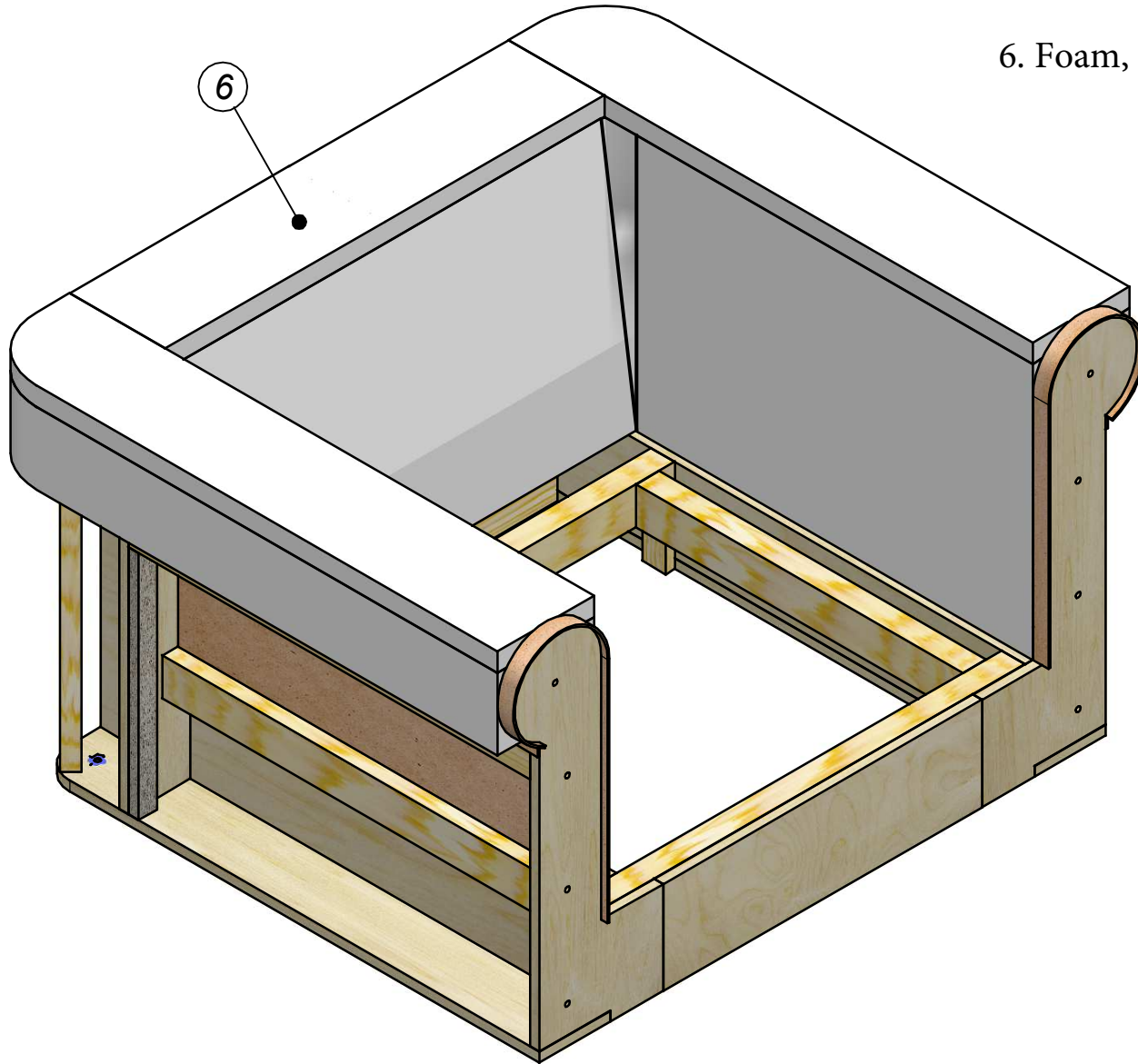


Chesterfield armchair

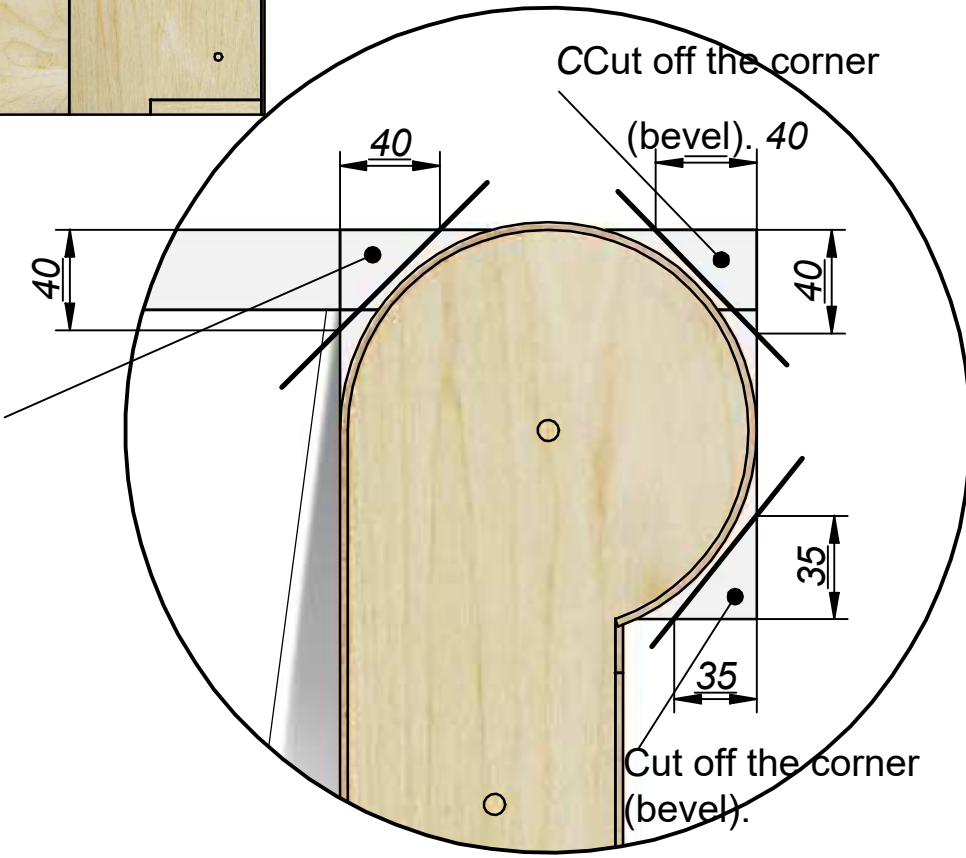
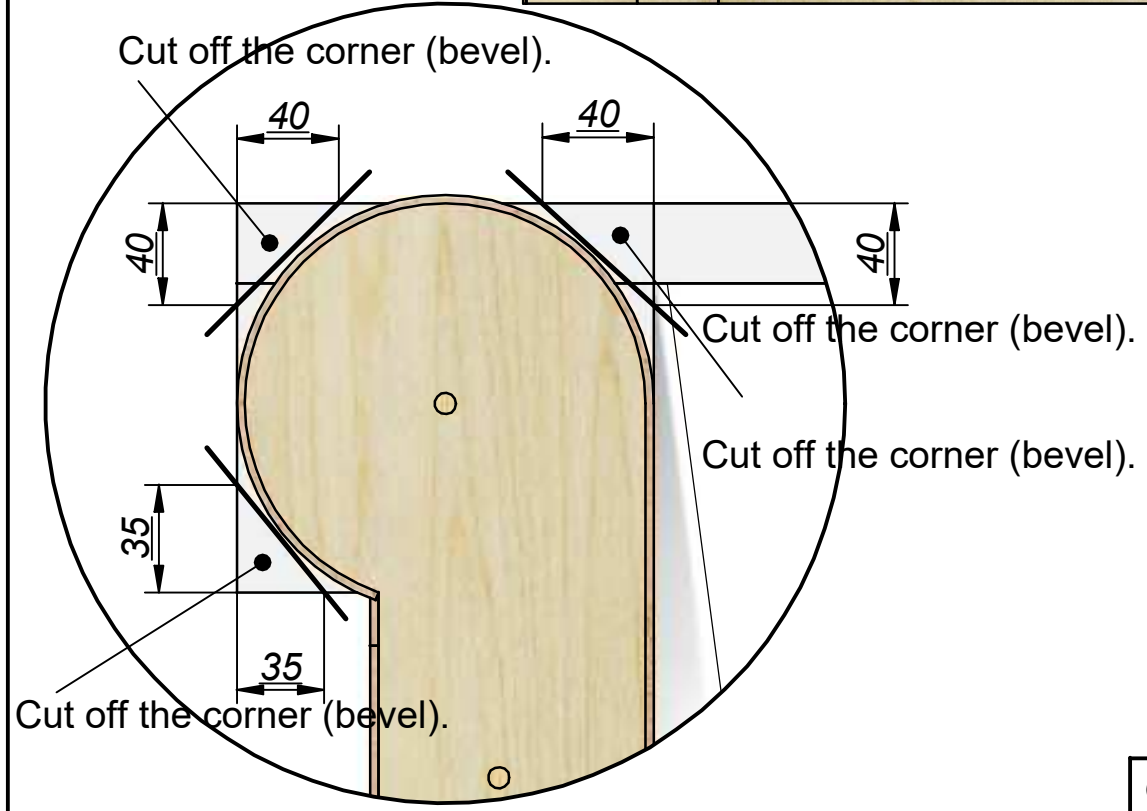
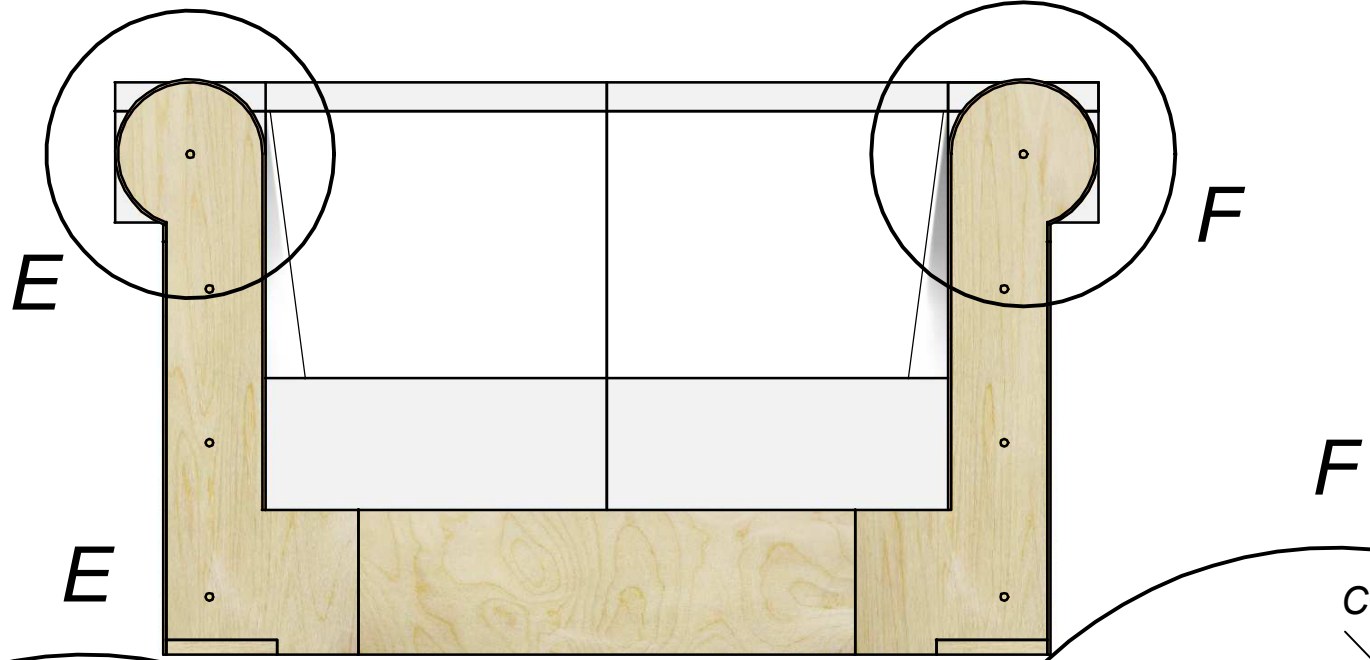


5. Foam, 30 mm, density 25 (Template No. 2) – 2 pcs.

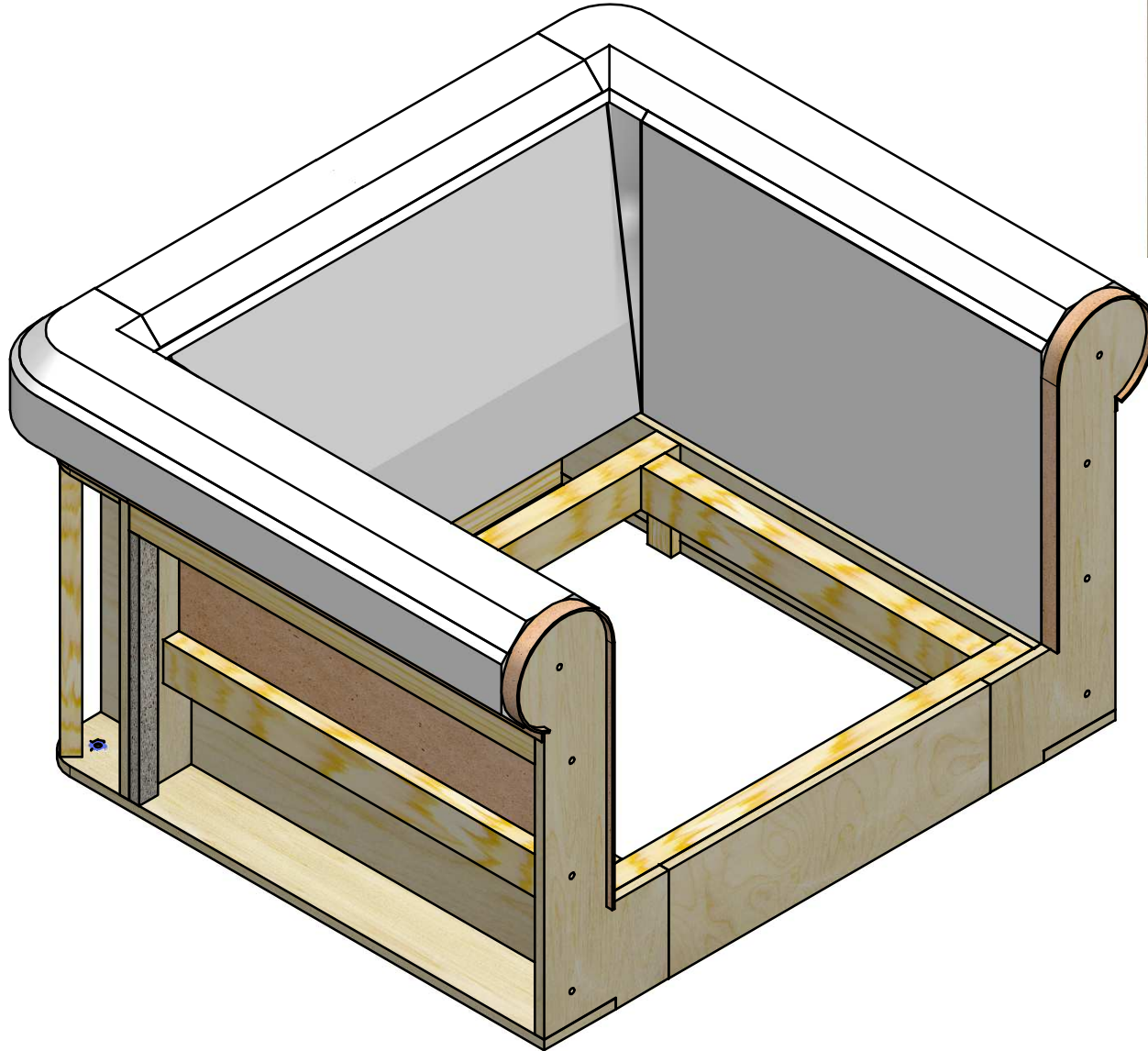
6. Foam, 30 mm, density 25 (155 × 710 mm) – 1 pc.



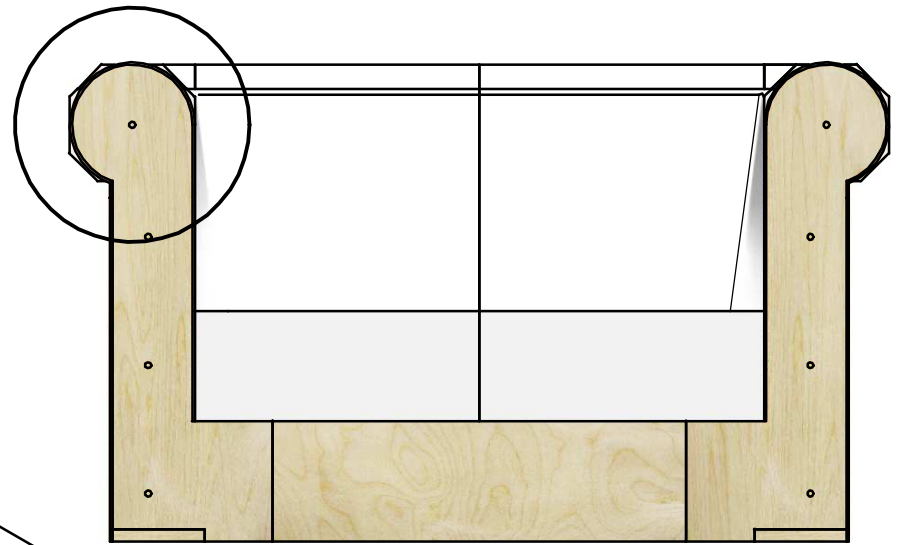
Chesterfield armchair



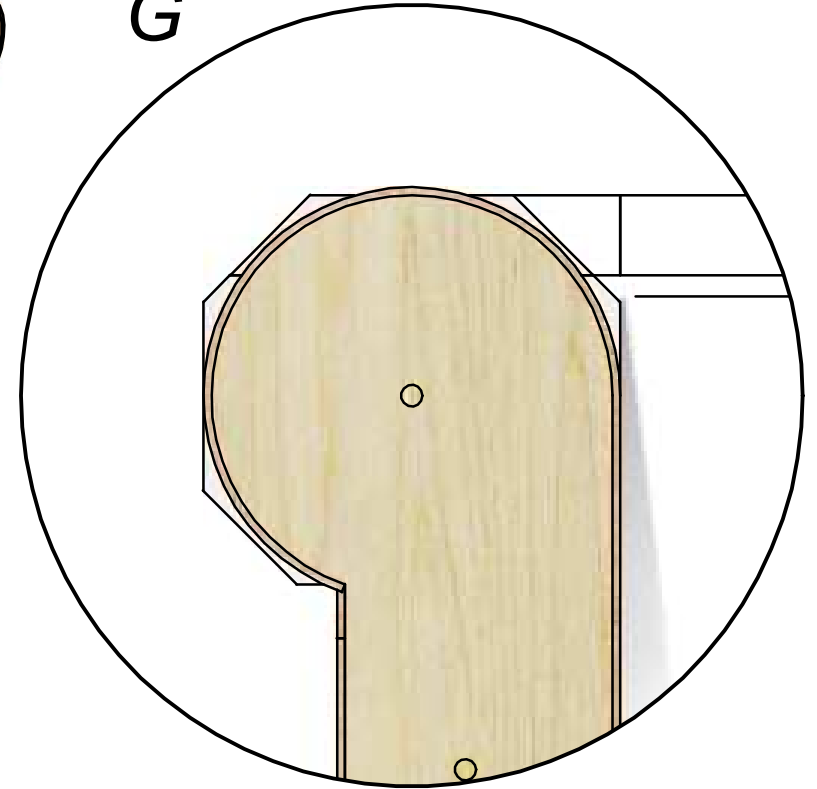
View of the chair with cut-off corners (beveled edges).

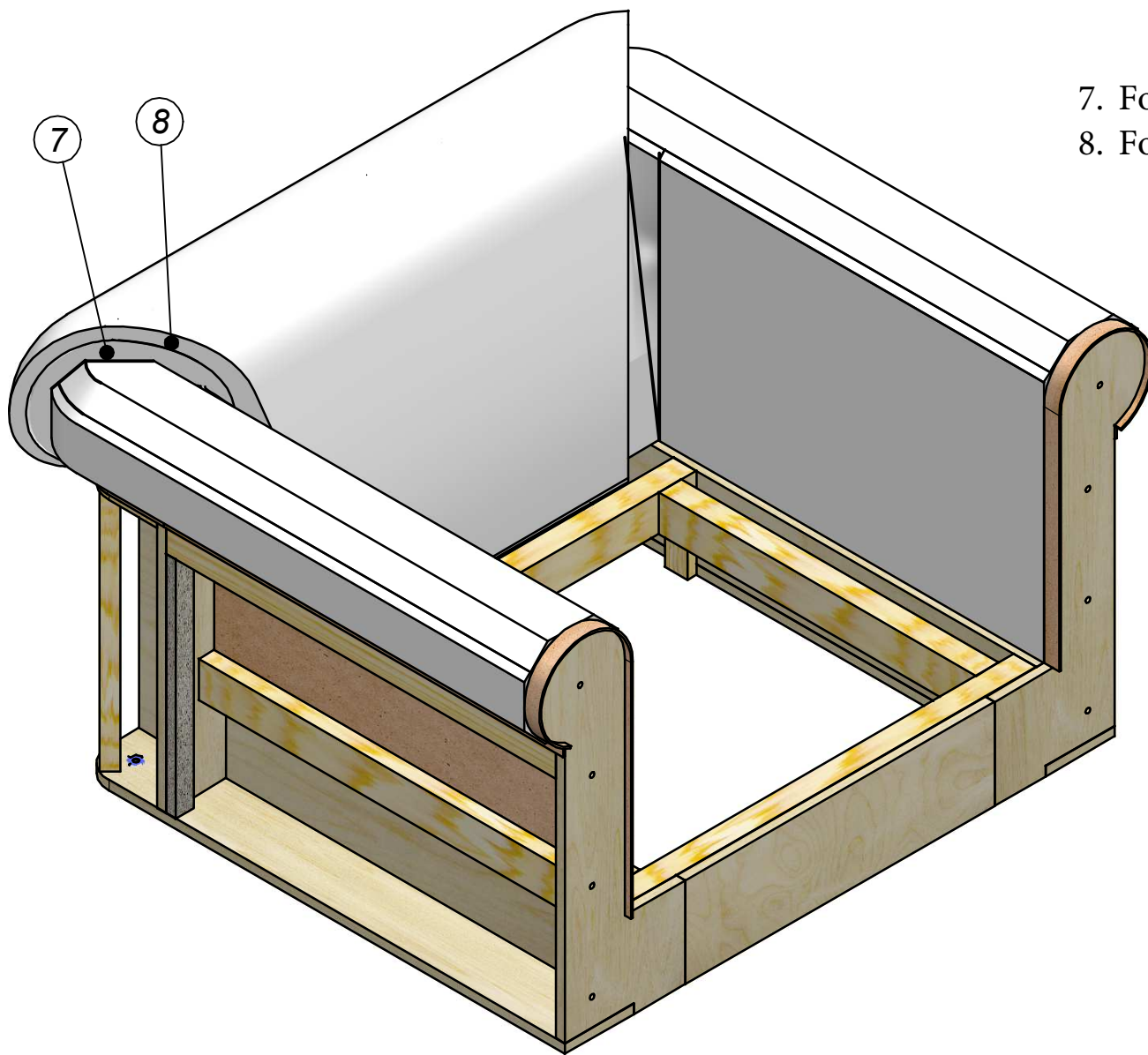


G



G





7. Foam 30 mm, 25 density (1200 × 910) – 1 pc

8. Foam 20 mm, 25 density (1200 × 910) – 1 pc

Check the foam dimensions (measure) against the frame. Before gluing the parts, glue parts 7 and 8 together. Then attach the glued parts to the frame and trim them on the frame as needed.

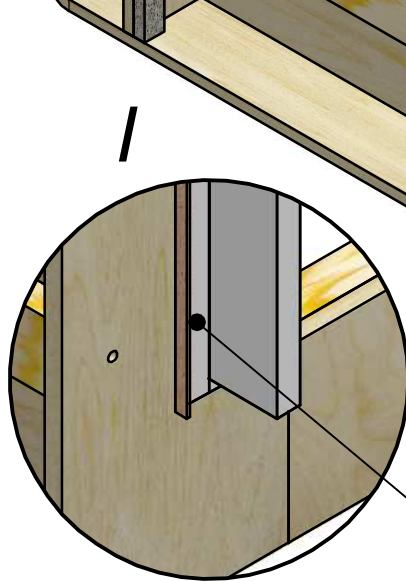
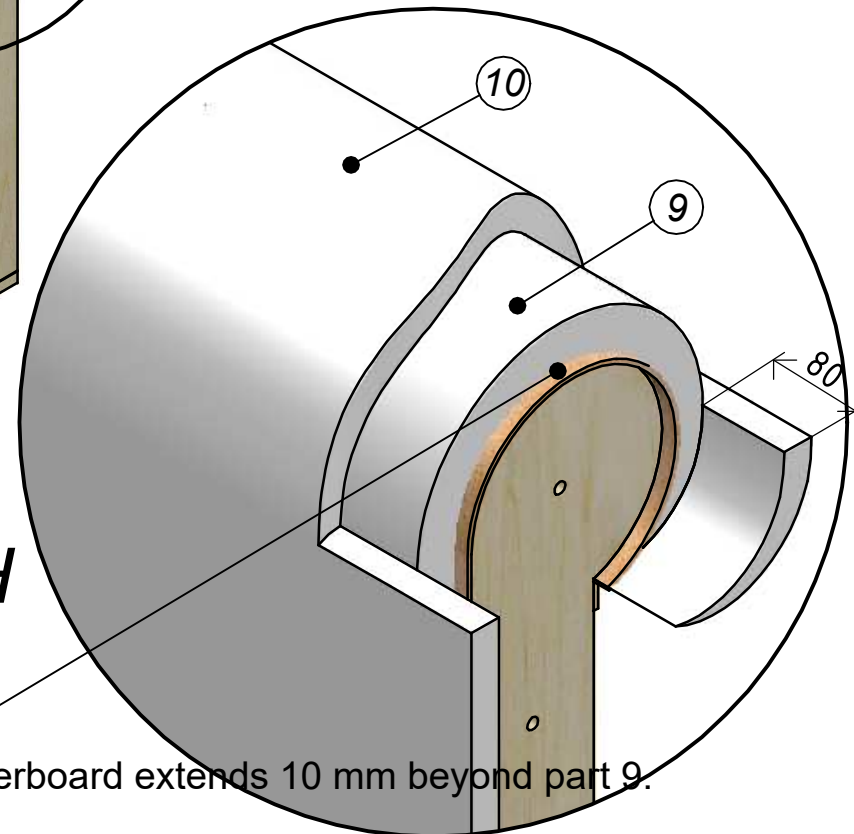
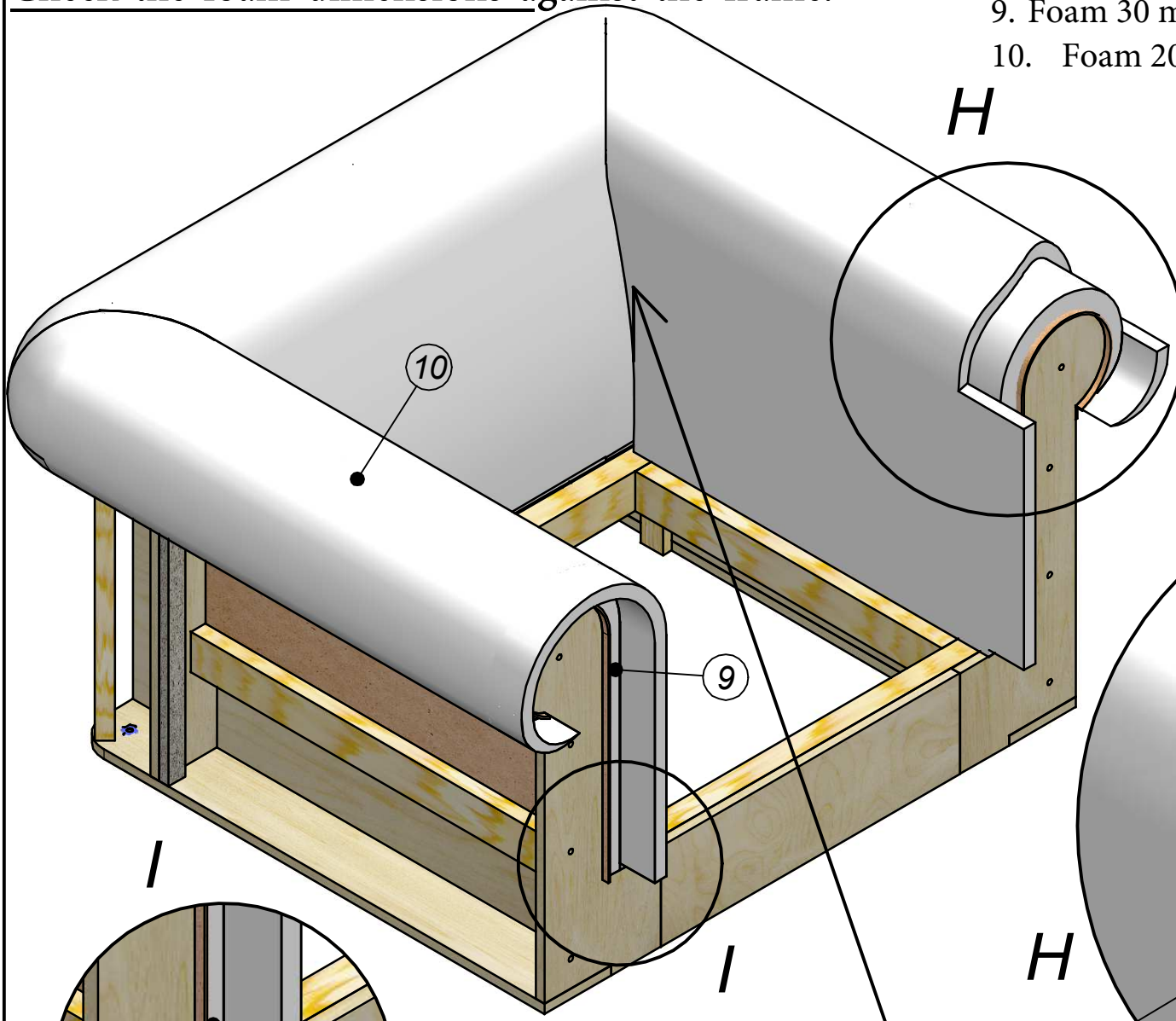
Check the foam dimensions against the frame.

9. Foam 30 mm, 25 density (960 × 910) – 2 pcs

10. Foam 20 mm, 25 density (1040 × 910) – 2 pcs

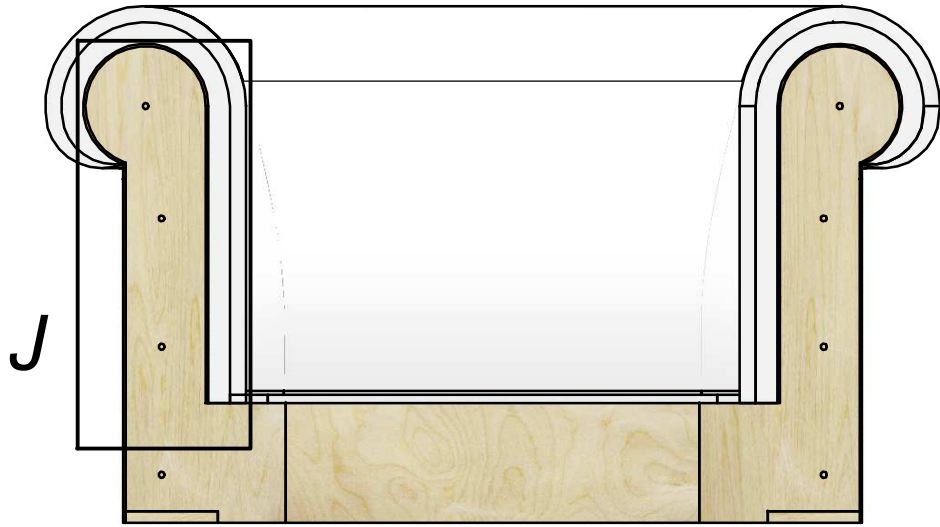
Before attaching the parts to the frame, glue parts 9 and 10 together so that part 10 extends 80 mm in front of part 9.

Attach the parts to the frame as shown in the diagram – align part 9 at the front flush with the plywood carpentry, and the fiberboard strip should extend 10 mm beyond part 9.

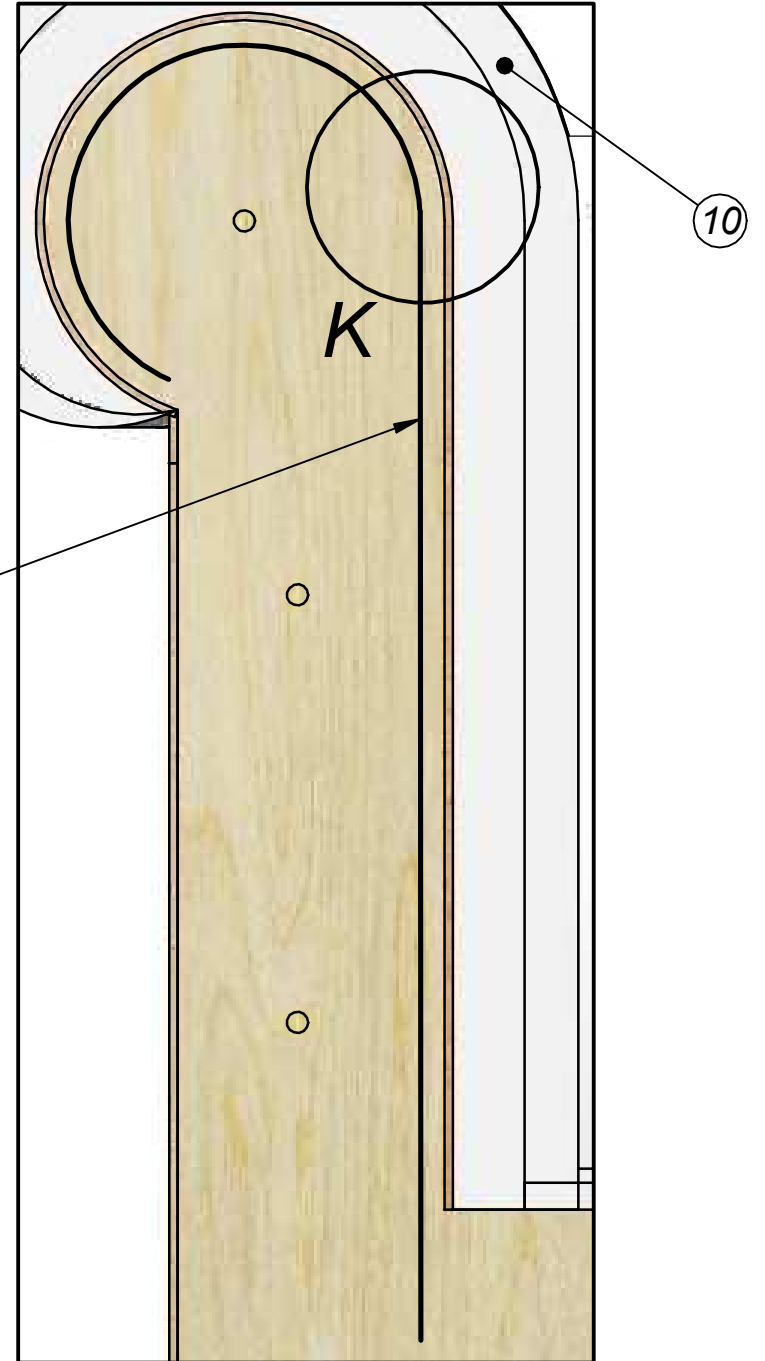


After gluing, the foam in the corner is trimmed in place to fit.

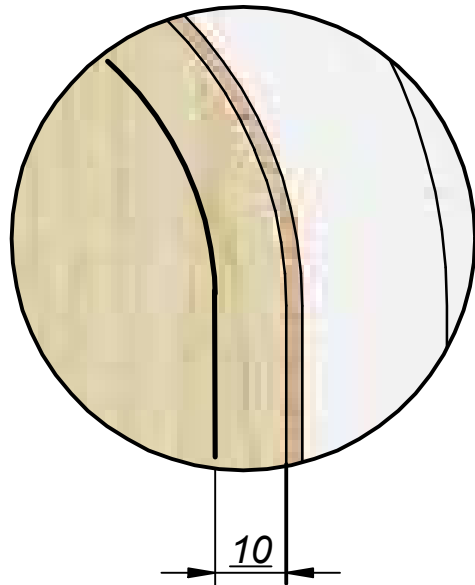
The fiberboard extends 10 mm beyond part 9.



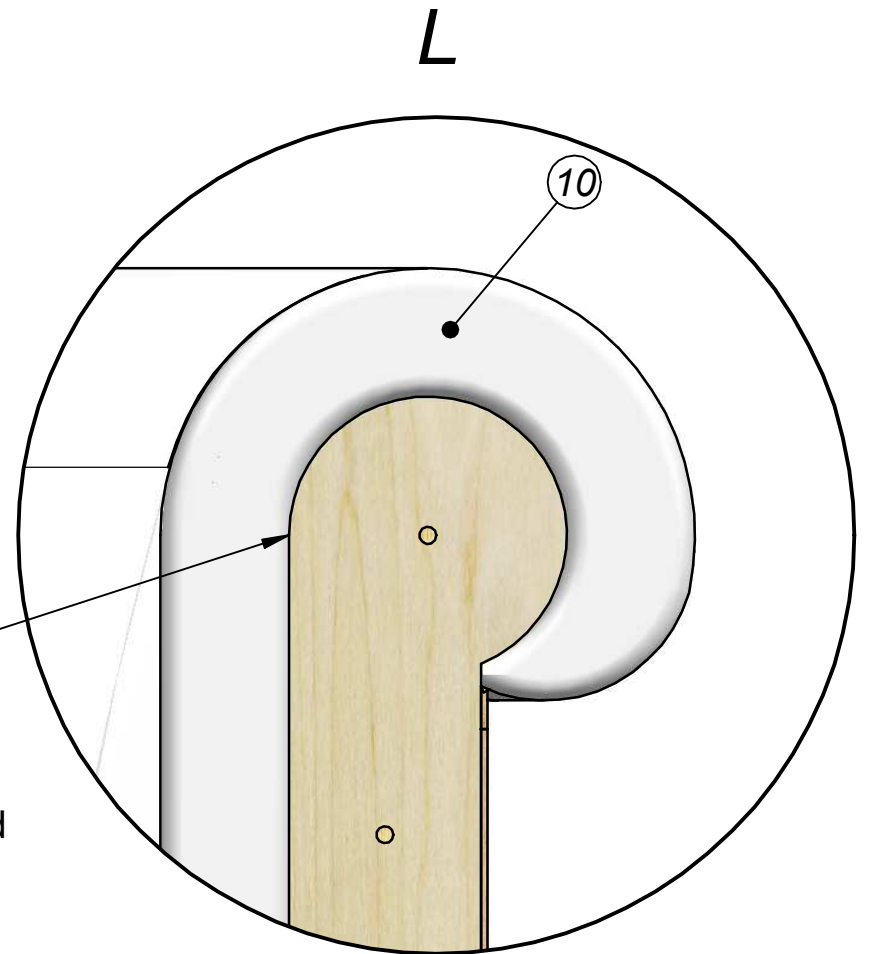
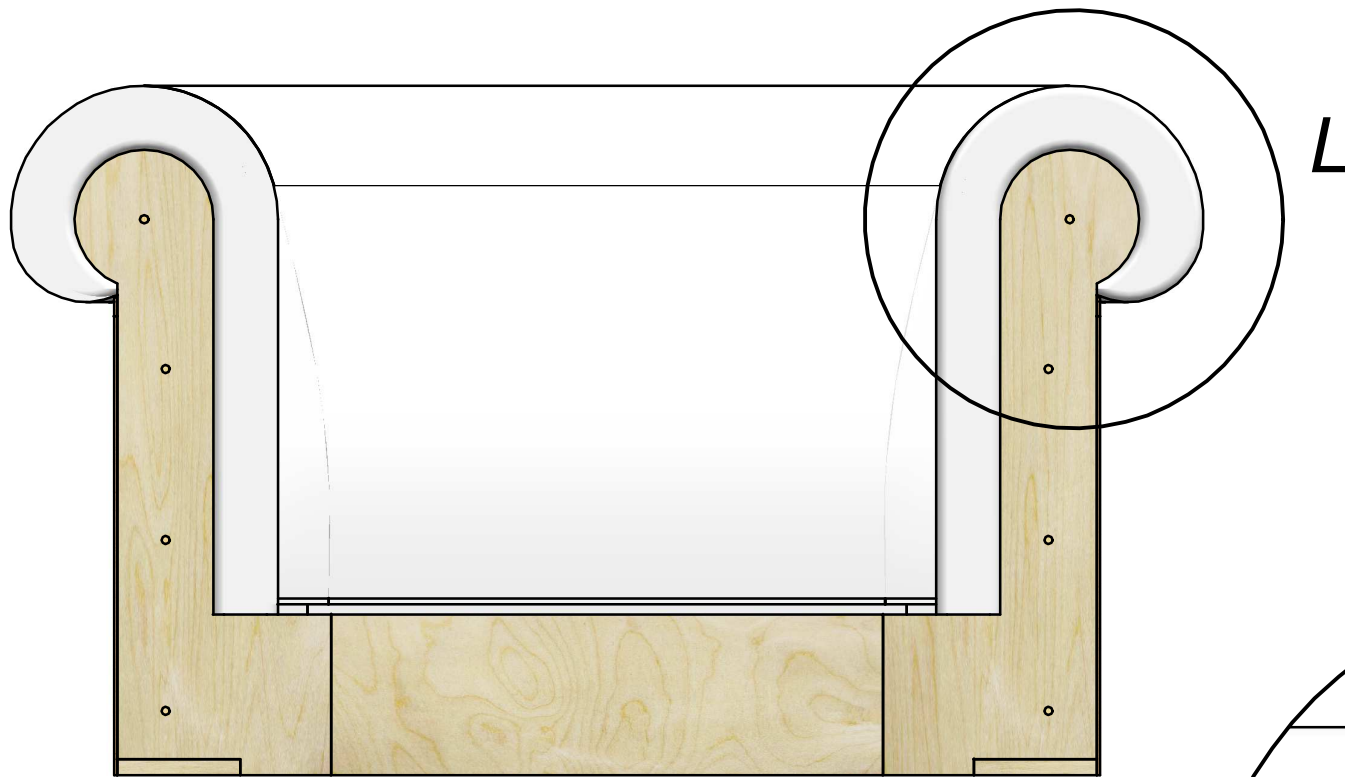
J



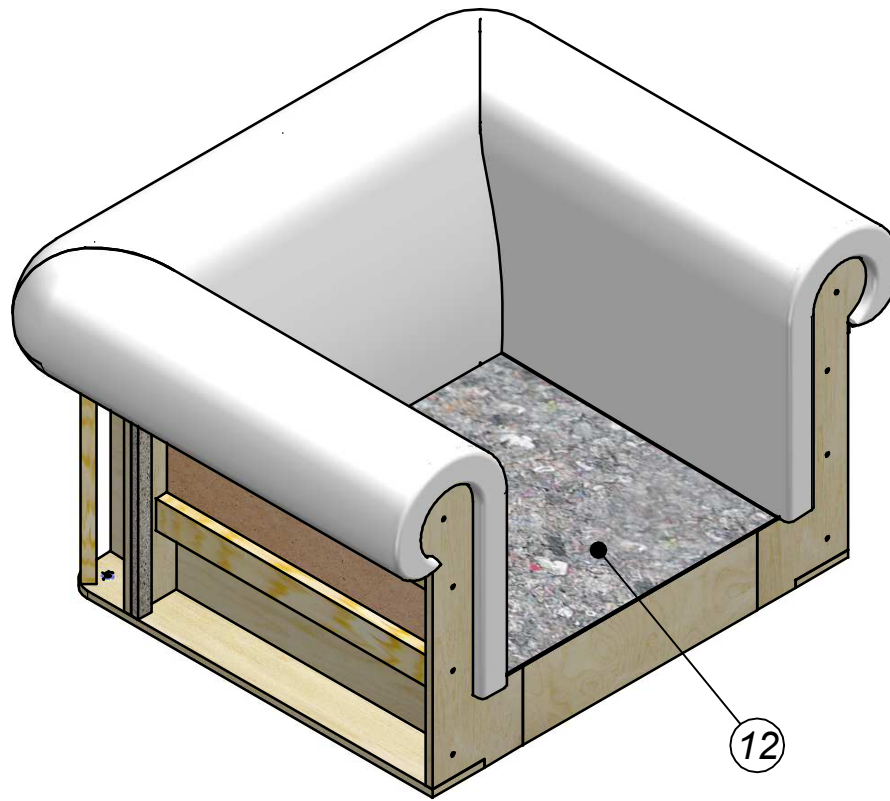
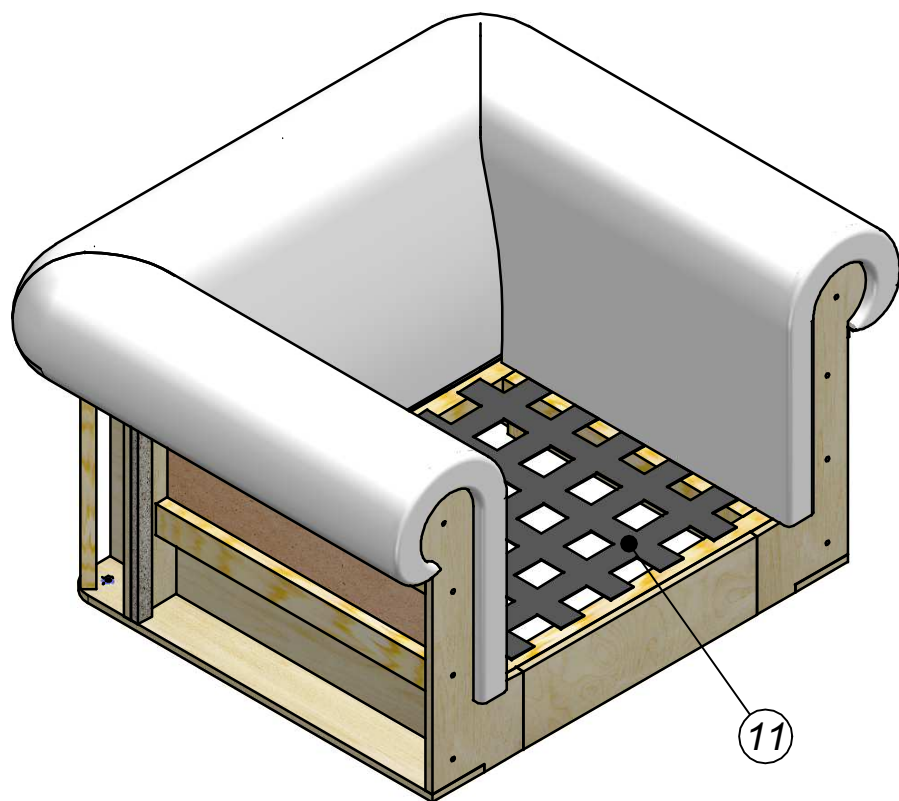
K



From the fiberboard strip, draw a line 10 mm away along the front part of the armrest. Along this line, the top 20 mm foam (part 10) will be bent and nailed.



Fold part 10 (20 mm foam) at the front and nail it along the marked line.

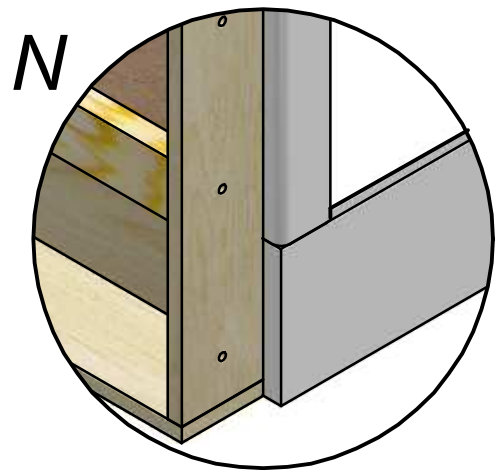
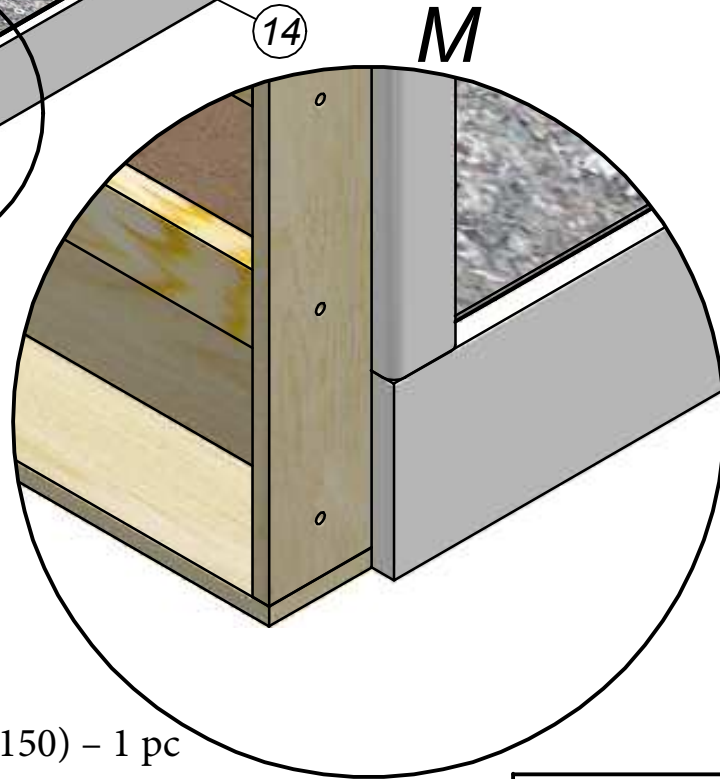
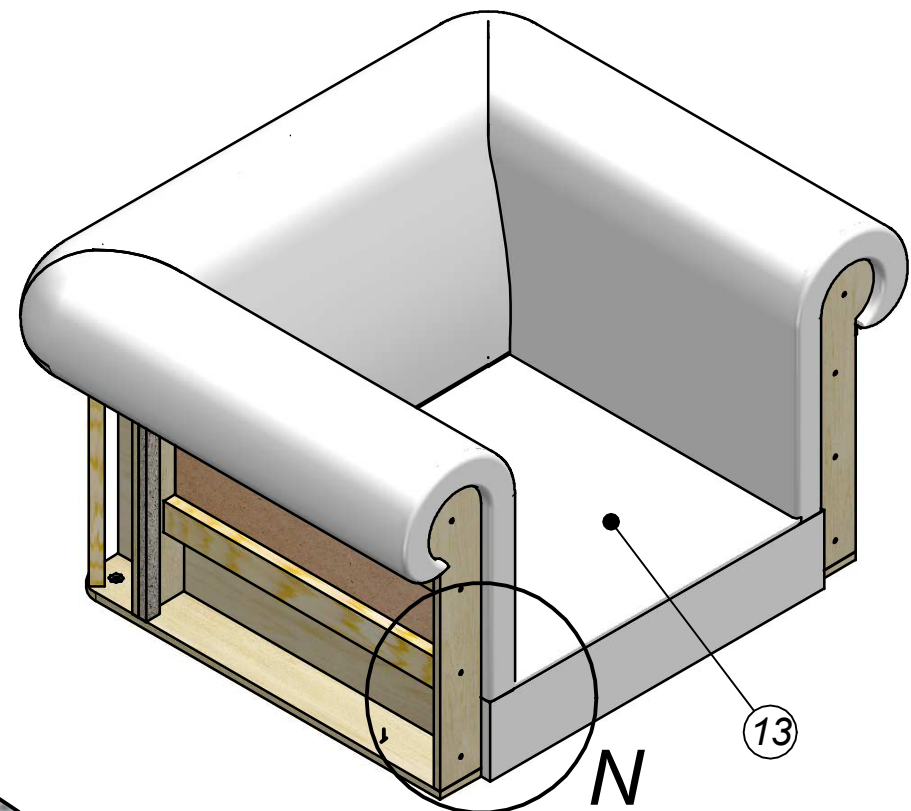
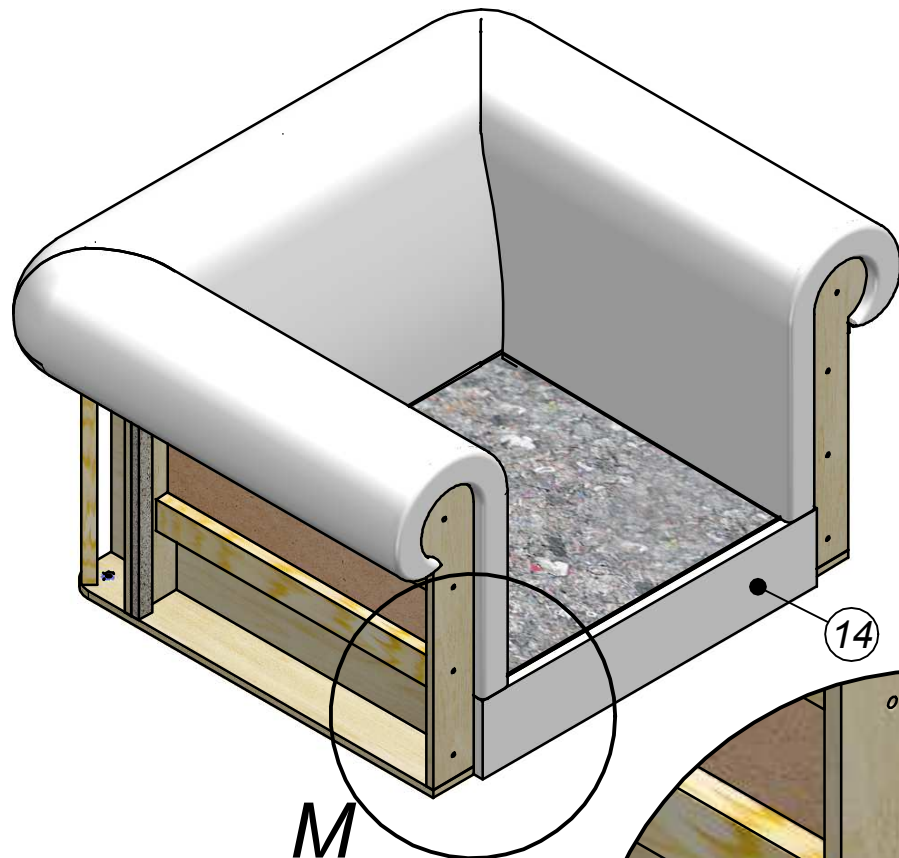


Attach the seat webbing to the seat frame and cover it with felt.

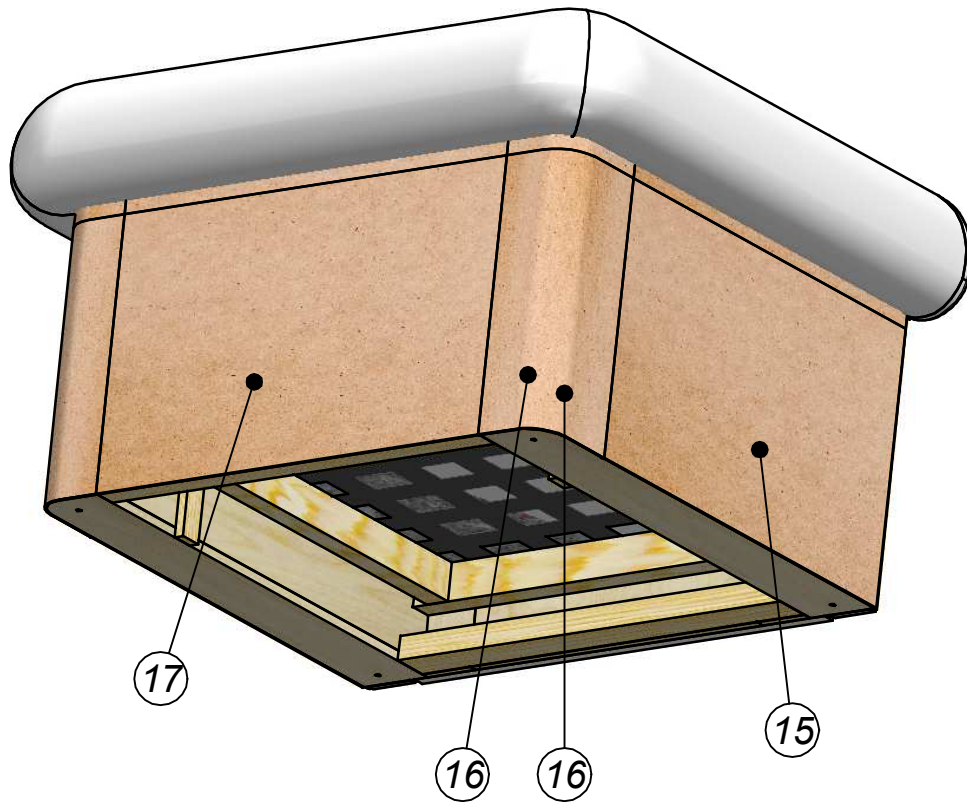
11. Seat webbing.

12. Felt (620 × 640) – 1 pc

Chesterfield armchair



- 13. Foam 10 mm (640 × 640) – 1 pc
- 14. Foam 20 mm, 25 density (740 × 150) – 1 pc



15. Fiberboard (428 × 665) – 2 pcs

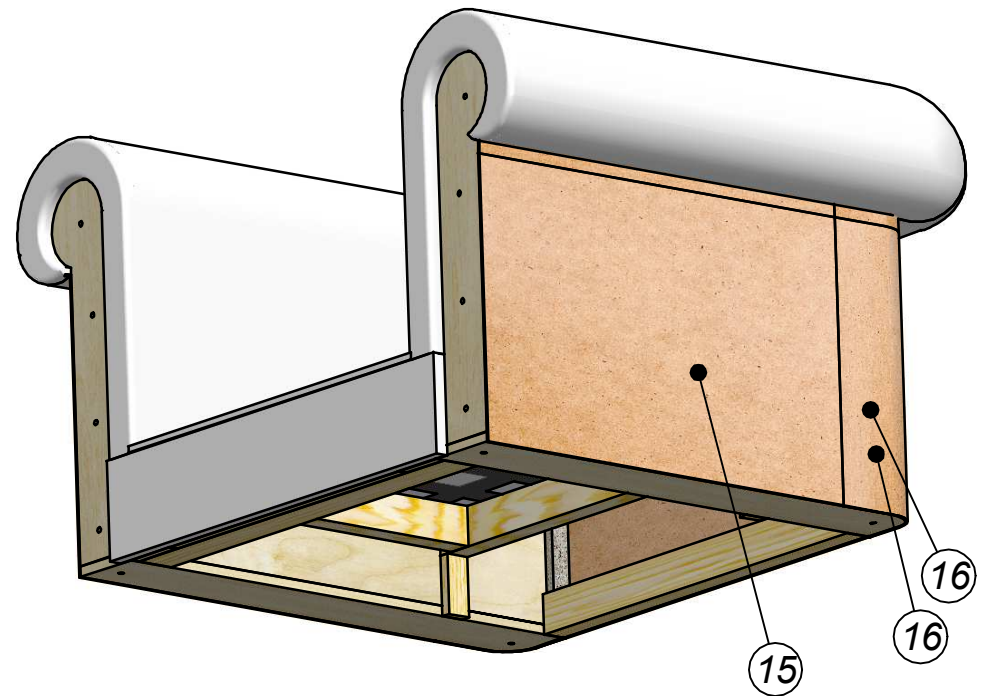
16. Cardboard (428 × 240) – 4 pcs

The cardboard is layered in two layers, therefore four pieces.

17. Fiberboard (428 × 686) – 1 pc

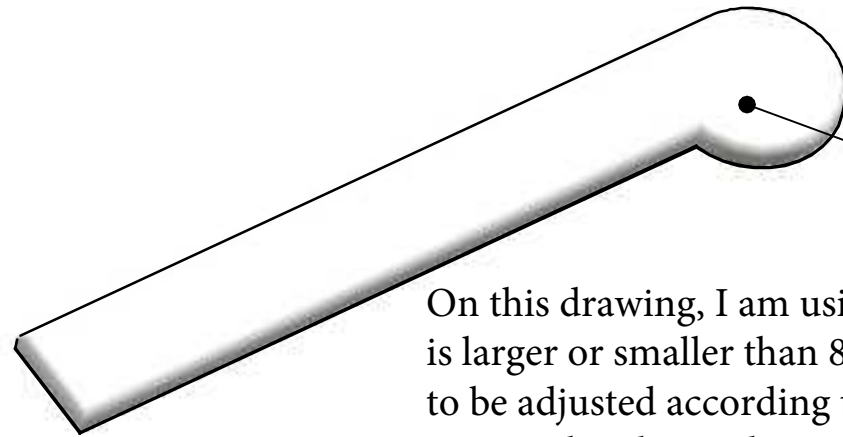
Parts 15, 16, and 17 are nailed to the frame after the armrests and backrest are upholstered and all tufting is completed.

The marking for the tufting is shown on the following sheets.



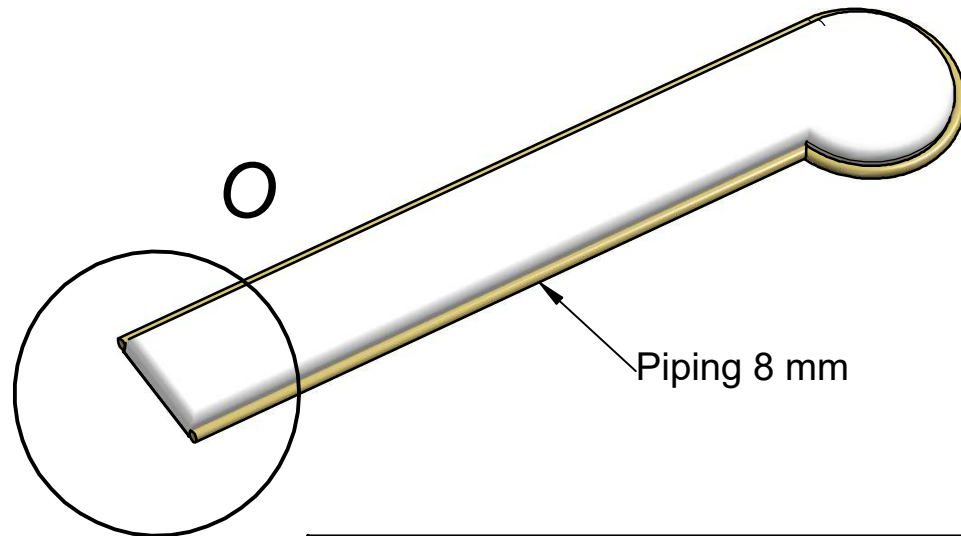
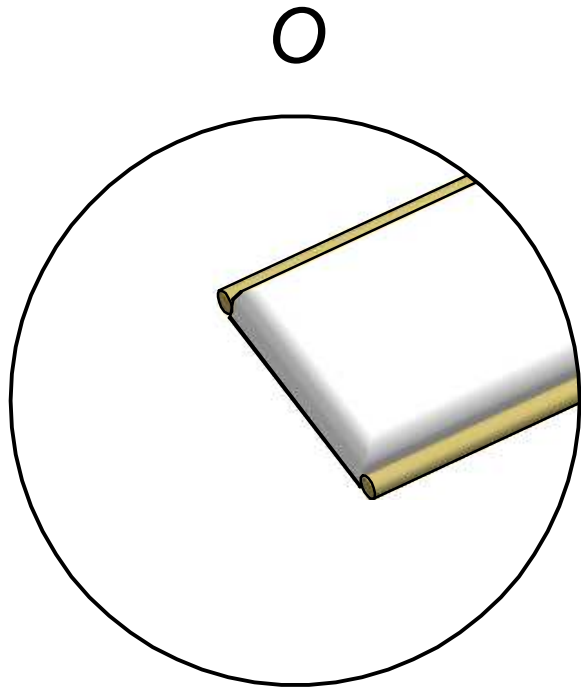


On the 10 mm plywood overlay (template No. 9), glue 10 mm foam (600 × 120) and trim it to the shape of the overlay.
Upholster the overlay with fabric, then attach piping around the perimeter.

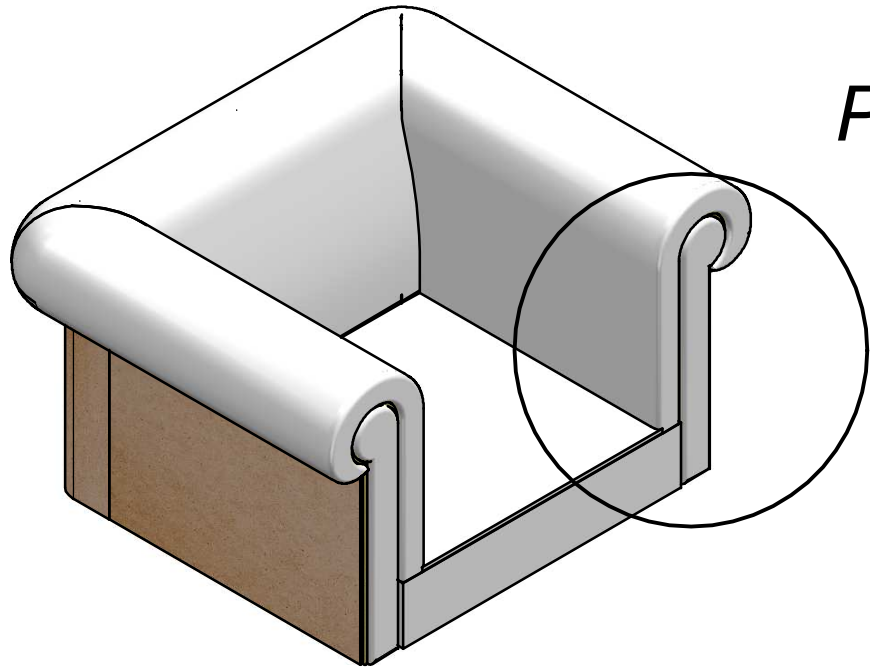


Foam 10 mm (600 × 120)

On this drawing, I am using piping with a diameter of 8 mm. If the piping is larger or smaller than 8 mm, the overlay template dimensions will need to be adjusted according to the piping diameter. In other words, before cutting the plywood piece using the template, you need to confirm the diameter of the piping that will be used.

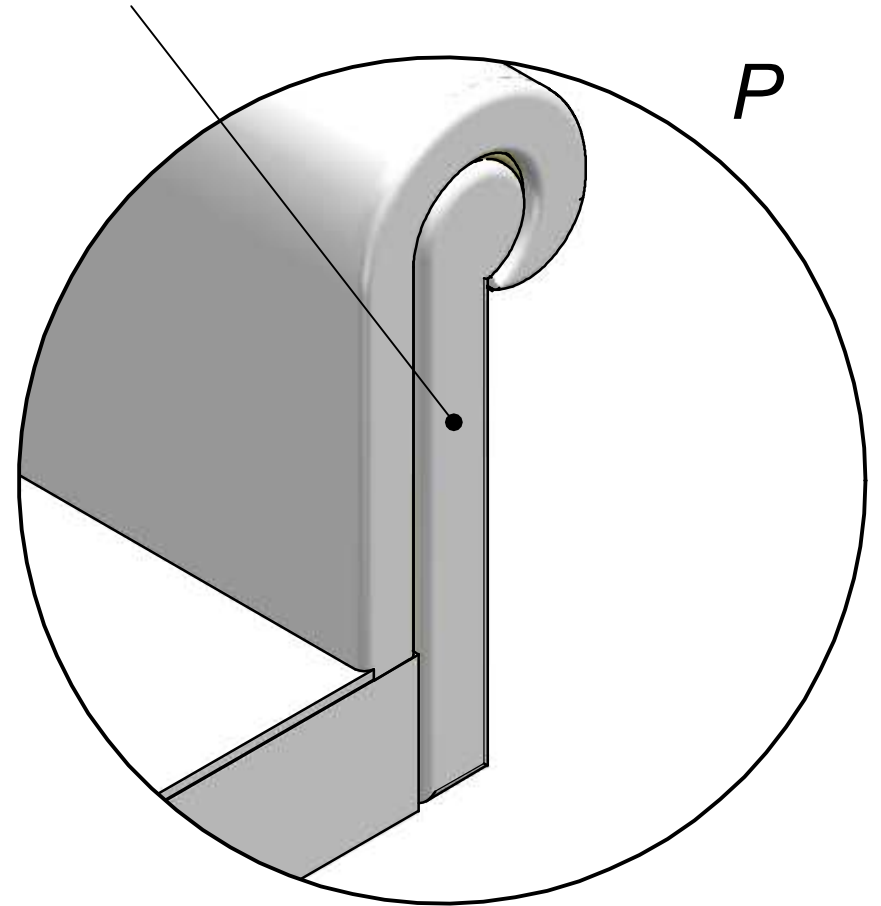


Piping 8 mm



P

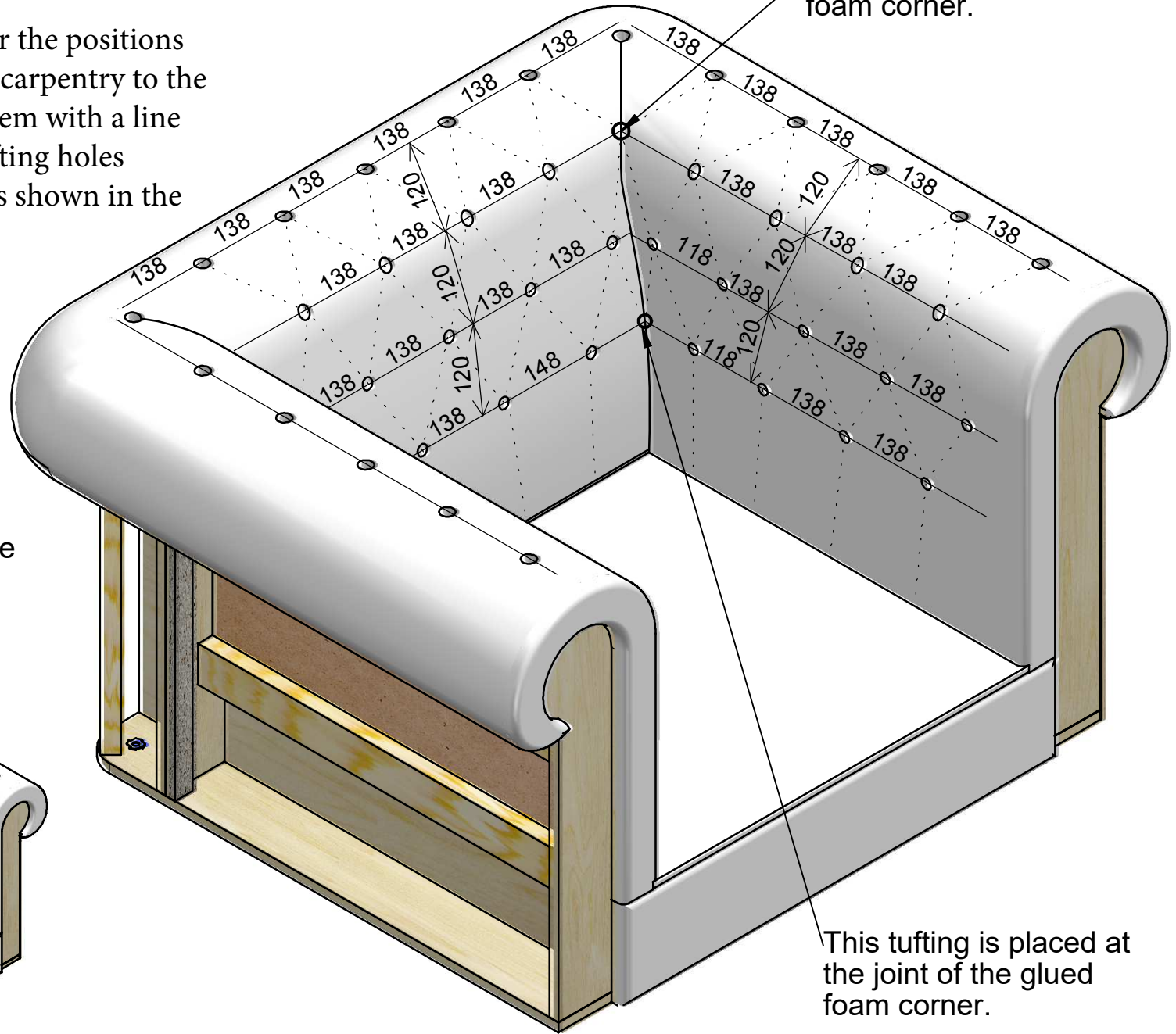
The upholstered overlays with piping are installed on the fully upholstered chair.



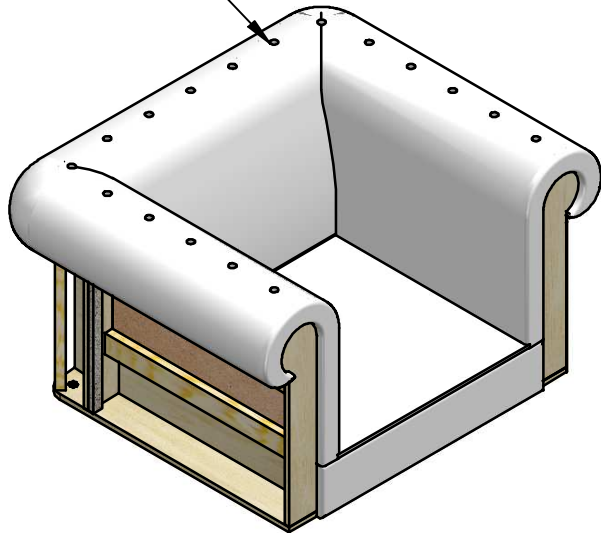
P

Using a long needle, transfer the positions of the upper holes from the carpentry to the top of the foam. Connect them with a line and mark the remaining tufting holes according to the dimensions shown in the diagram.

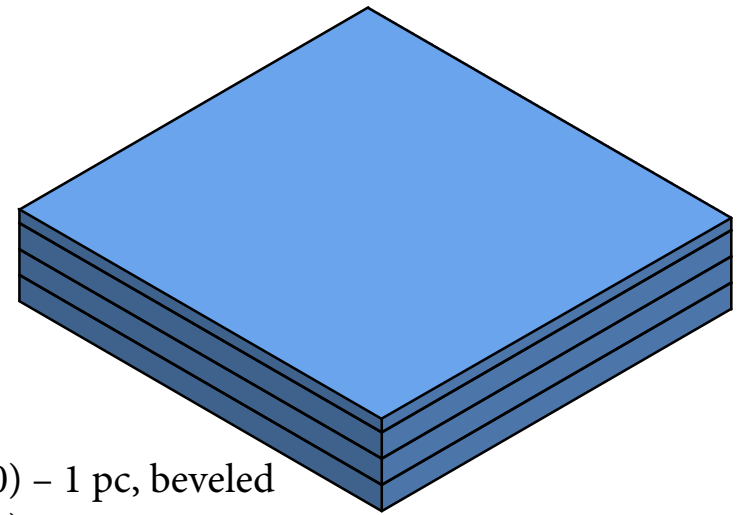
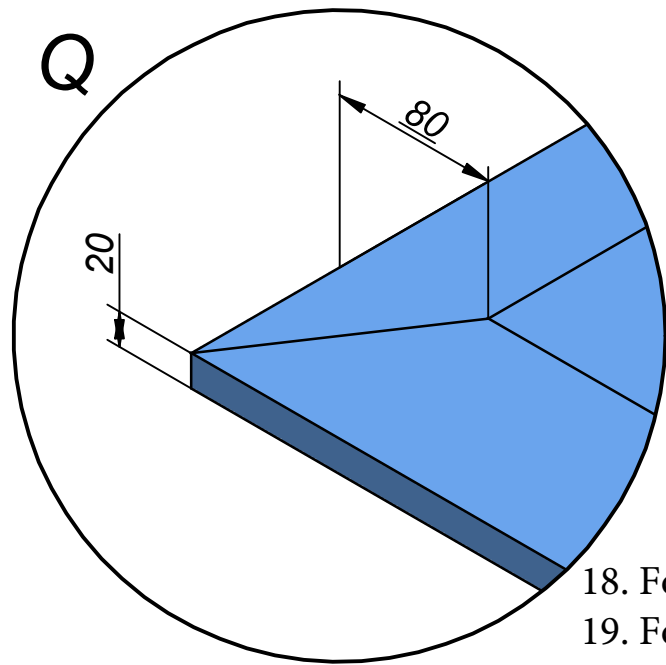
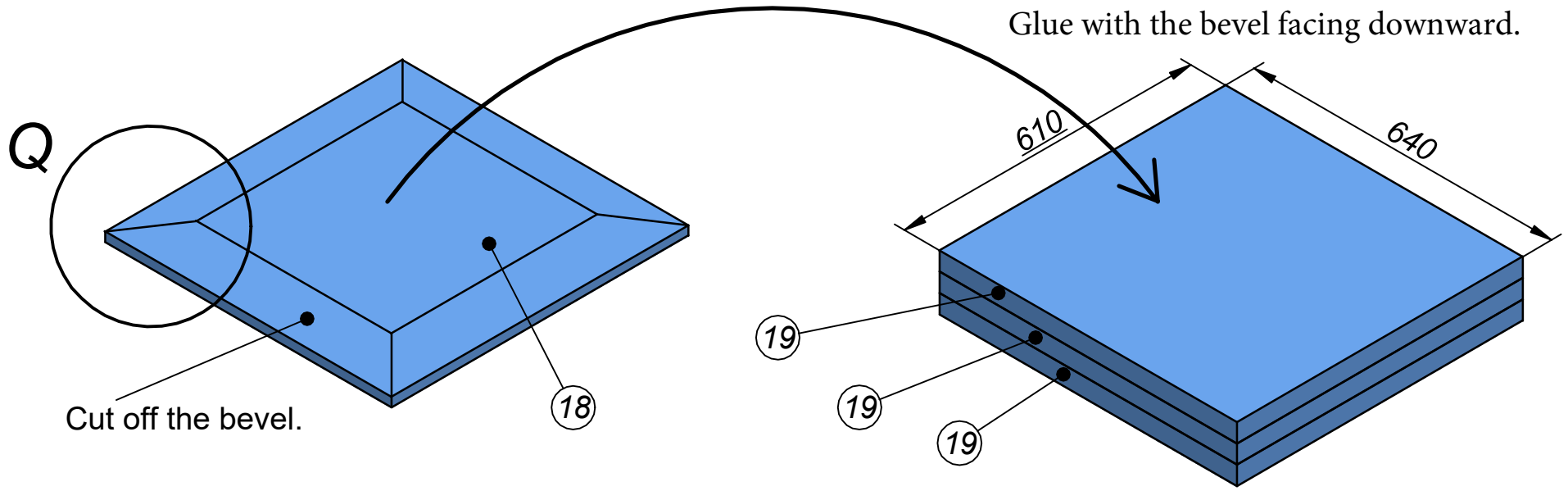
This tufting is placed at the joint of the glued foam corner.



Transfer the positions of the upper holes onto the foam.

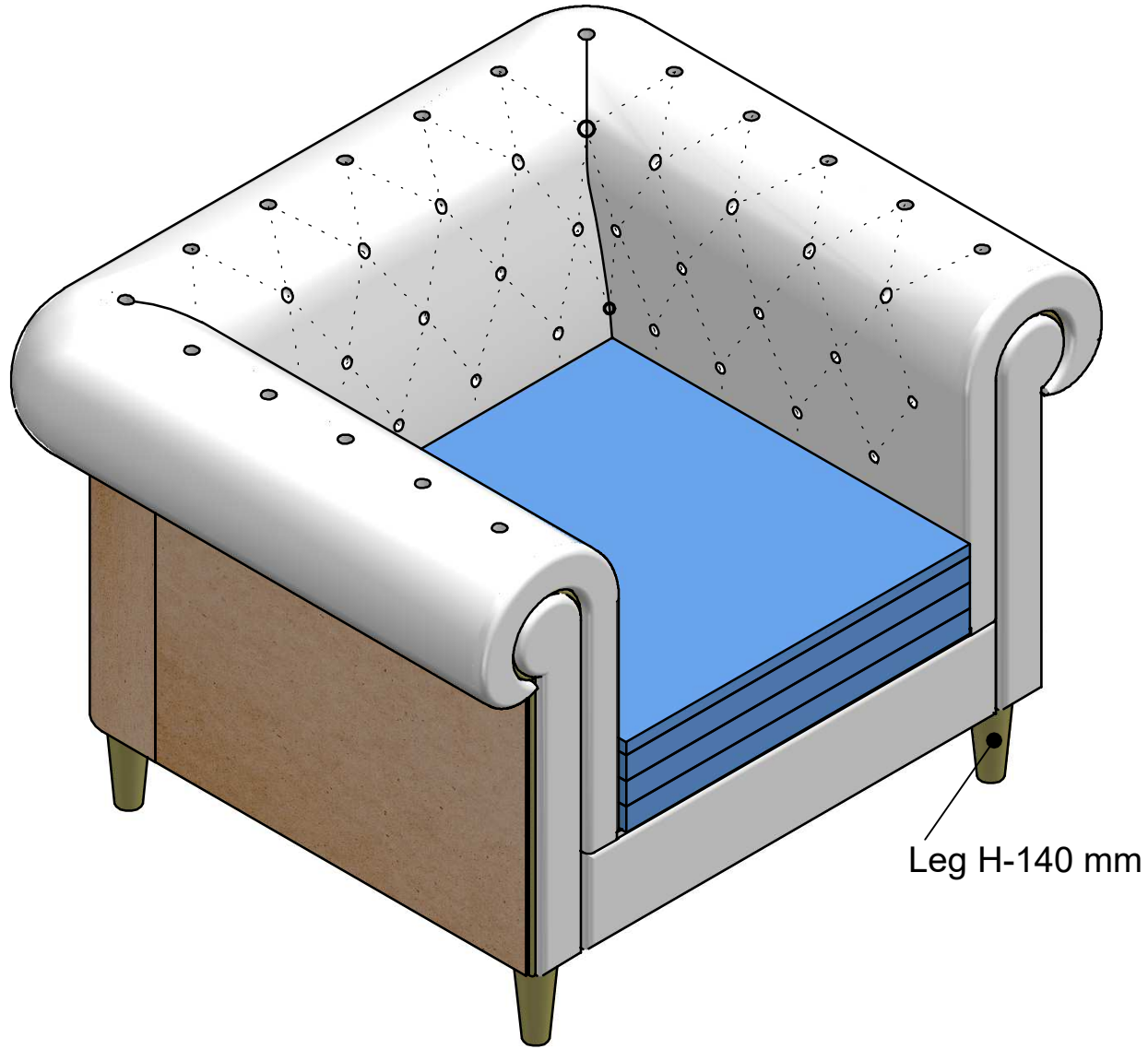


This tufting is placed at the joint of the glued foam corner.



- 18. Foam 40 HS 3530 (610 × 640) – 1 pc, beveled
- 19. Foam 40 HS 3530 (610 × 640) – 3 pcs

Chesterfield armchair



Leg H-140 mm